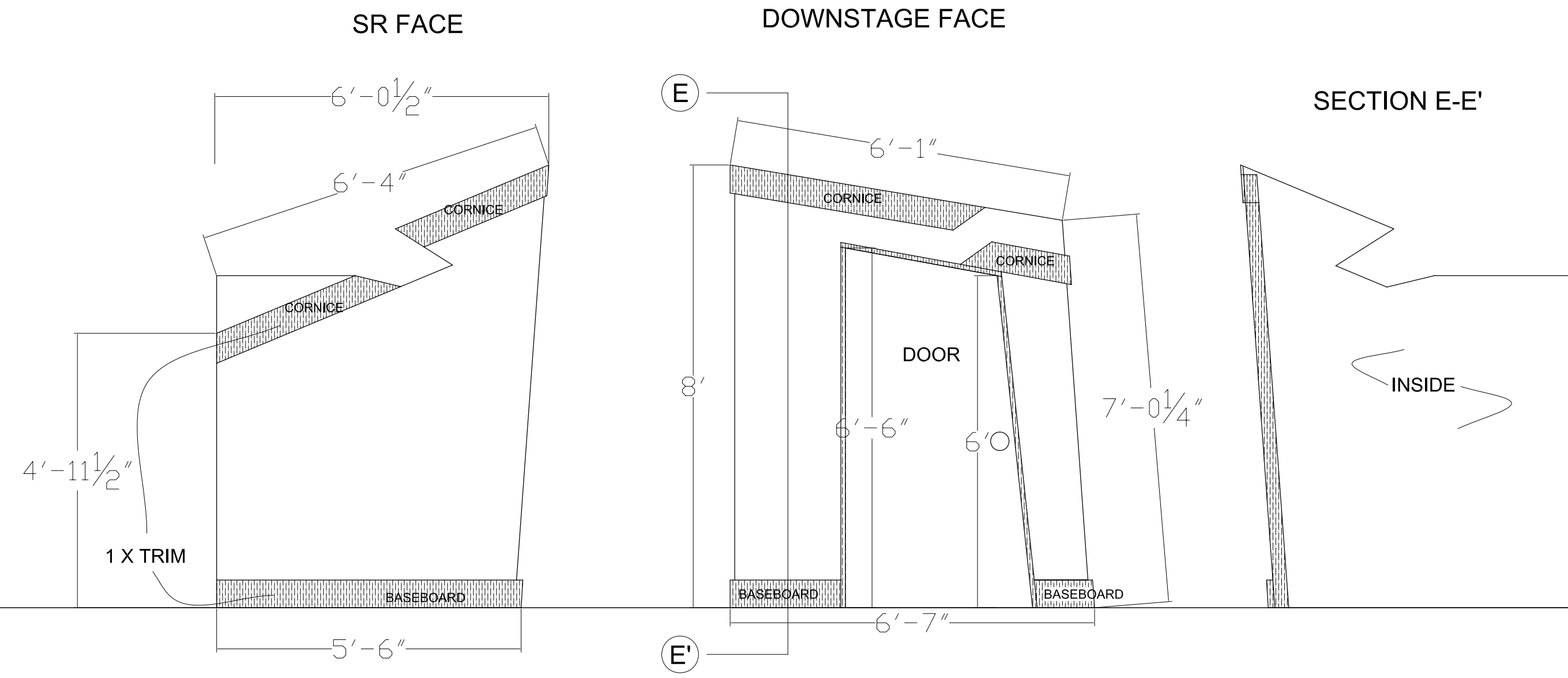
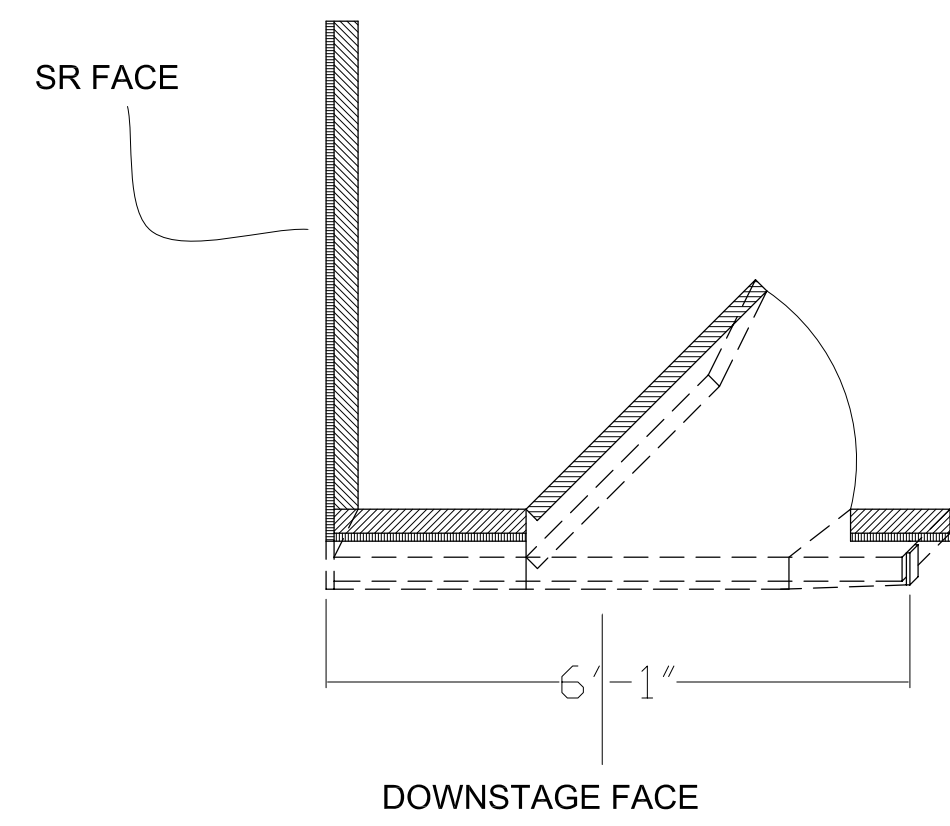
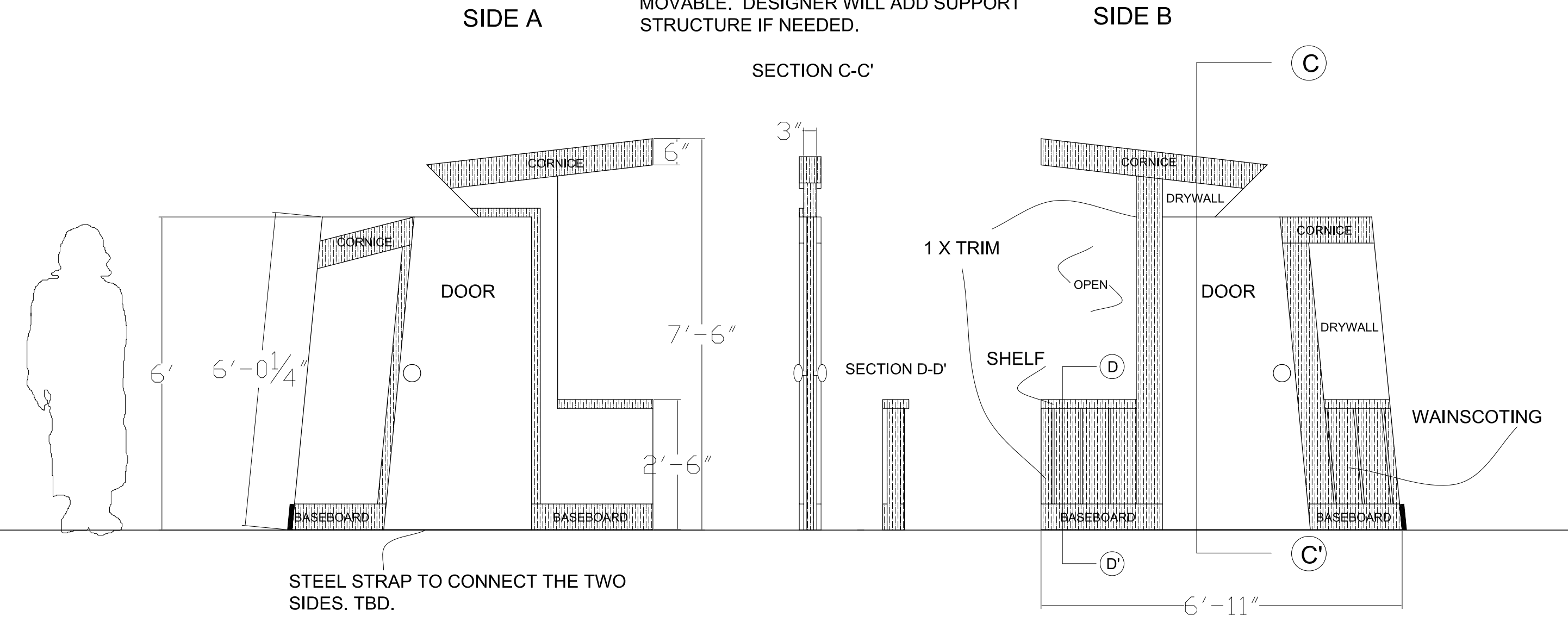


MOTEL WALL



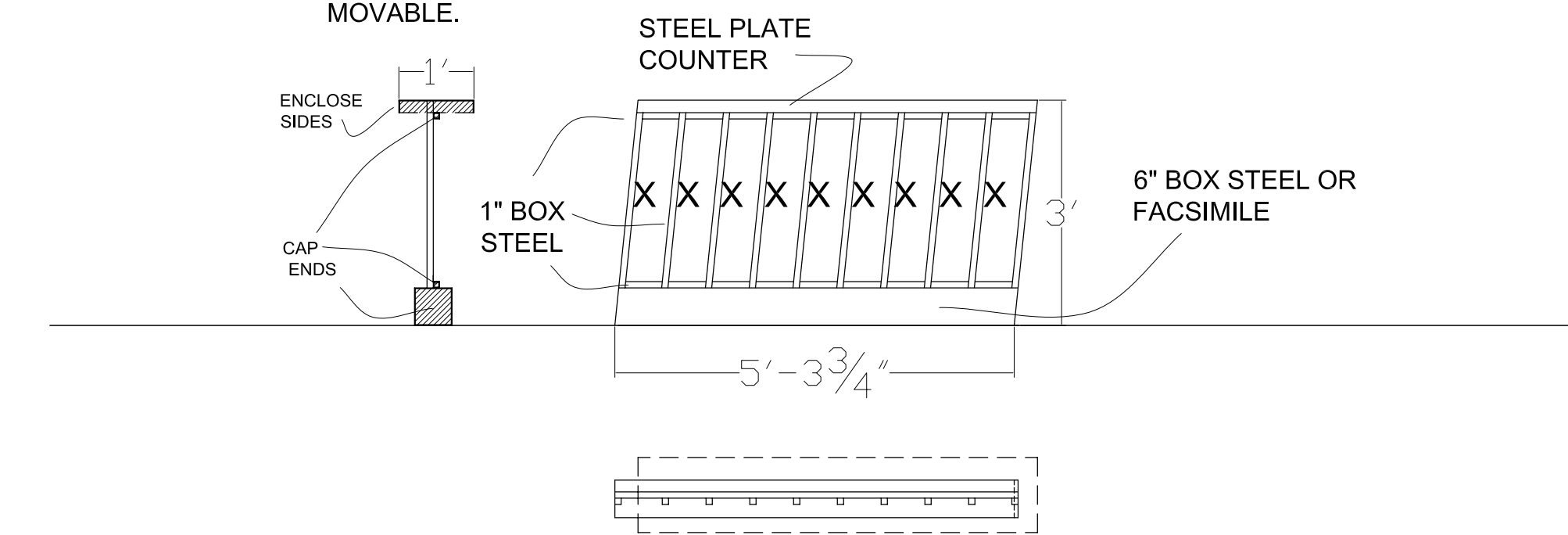
RADIO STATION WALL

NOTE: UNIT MUST BE SELF SUPPORTING AND MOVABLE. DESIGNER WILL ADD SUPPORT STRUCTURE IF NEEDED.

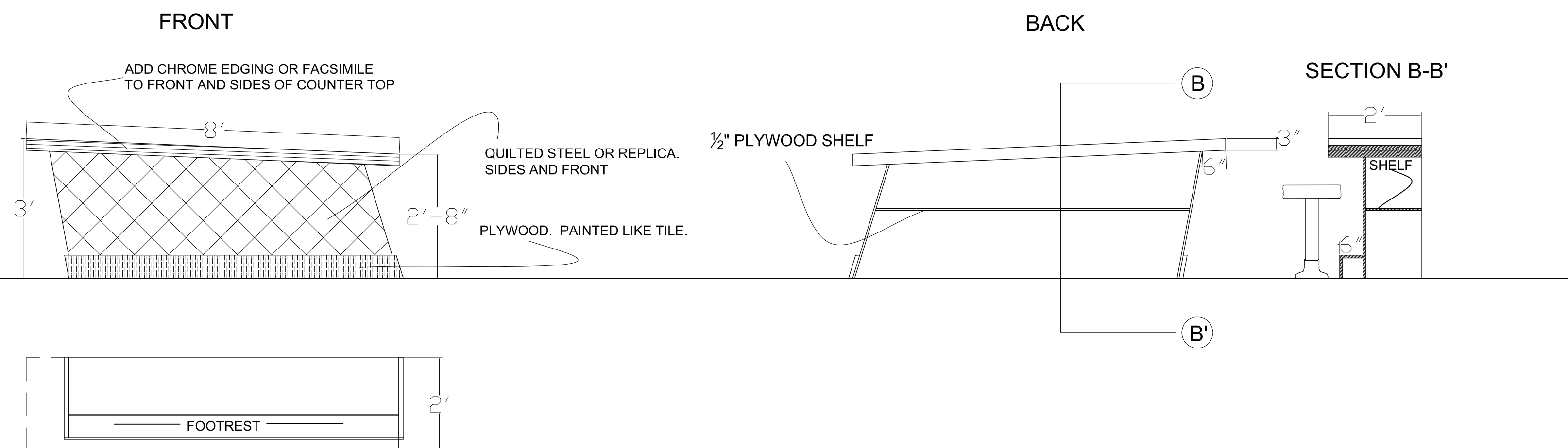


TELLER RAILING

NOTE: UNIT MUST BE SELF SUPPORTING AND MOVABLE.



DINER COUNTER



GENERAL NOTES:
 --ALL SCENERY ON THE OUTER TURNABLE MUST BE SELF-SUPPORTING AND MOVABLE.
 --ALL SCENERY WILL BE SEEN FROM BOTH SIDES AND MUST BE FINISHED OUT ACCORDINGLY.
 --DESIGNER IS NOT QUALIFIED TO DETERMINE IF STRUCTURES ARE SOUND.

SCHOOL OF THEATER OHIO UNIVERSITY 307 KANTNER HALL Athens, OH 45701 (740) 593-4818		ELIZABETH EVANS BAKER THEATER	
SHOW TITLE: THE MINEOLA TWINS		DATES: WINTER 2005	
DWG: WALL UNITS	PLATE 6 Of: 6	PRODUCTION DESIGN & TECHNOLOGY Original on AutoCad by: RSL	
DIRECTED BY: WILLIAM FISHER	SCENERY DESIGN: NATALIE TAYLOR	DRAFTED BY: NKT	
COSTUME DESIGN: EMILIA CORBIN	LIGHTING DESIGN: DUSTIN EFIRD	DATE: 1.24.05	
SOUND DESIGN: KARL KERN	ASSISTANT DESIGNER: LIZA KINDL	APPROVED BY:	
TECHNICAL DIRECTOR: DEAN ADAMS		Scale: 1/2"=1'-0"	